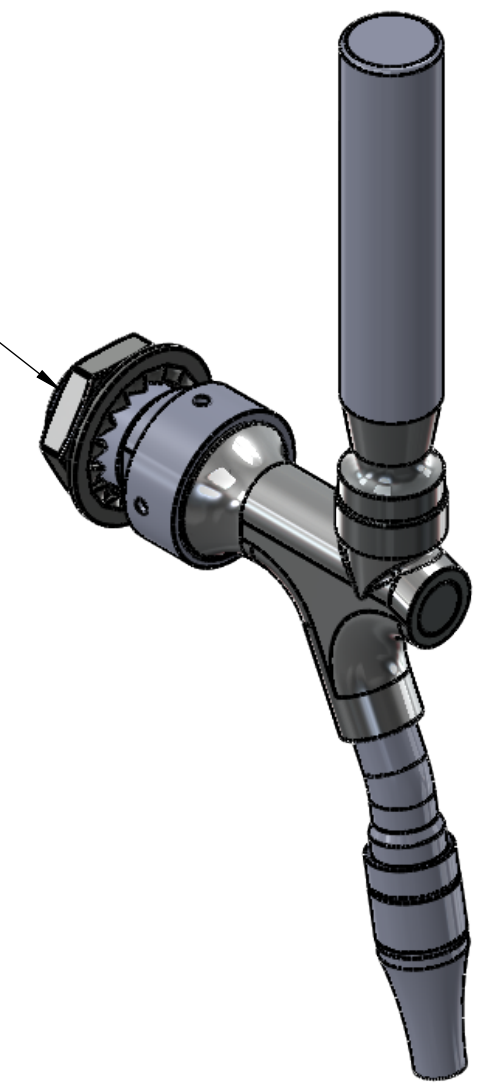


JG 3/8". 5/16",
1/4", 3/16"
CARTRIDGE



DESCRIPTION
CONTINENTAL TAP STOUT CUSTOMER DRAWING

DRAWING NO.

TOLERANCES UOS: ANGULAR ±0-30'
TWO DEC PLACES ±0.1
ONE DEC PLACE ±0.3

udS
universaldispenseystems

UNIVERSAL DISPENSE SYSTEMS
UNIVERSAL BUILDINGS GREEN LANE
HOUNSLOW MIDDLESEX TW46DF
TEL 0208 570 44455

MATERIAL

FINISH

SCALE
1:1

DATE

DRAWN

ISSUE
1

CHECKED

REVISIONS		
REV.	DESCRIPTION	DATE

FILE LOCATION \\uds-sbs\cad office\Solid Works Files\100 series\